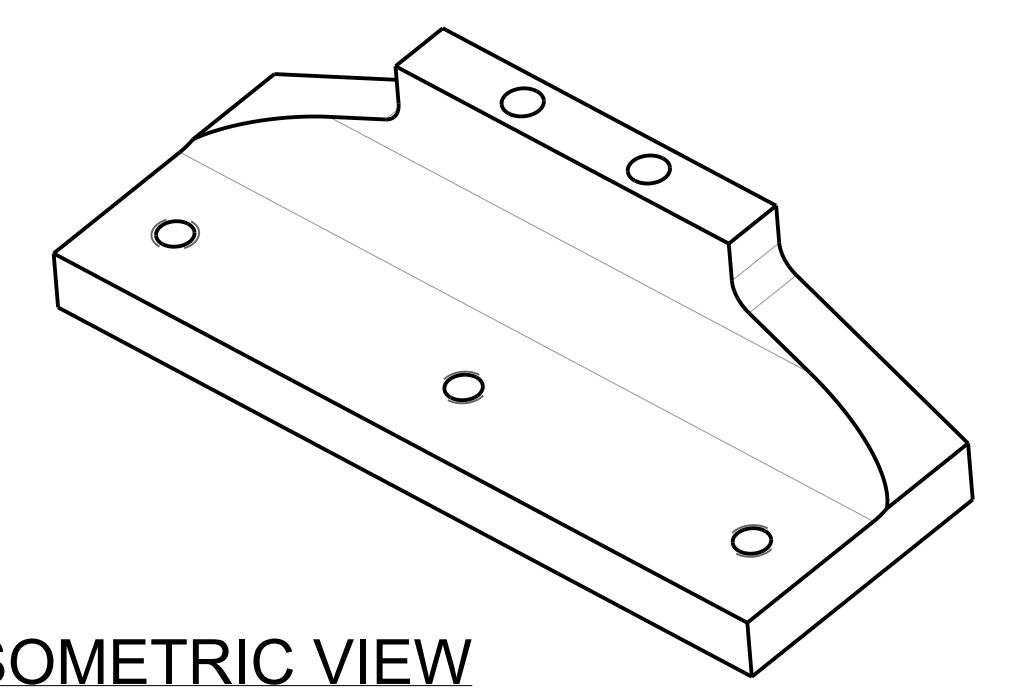
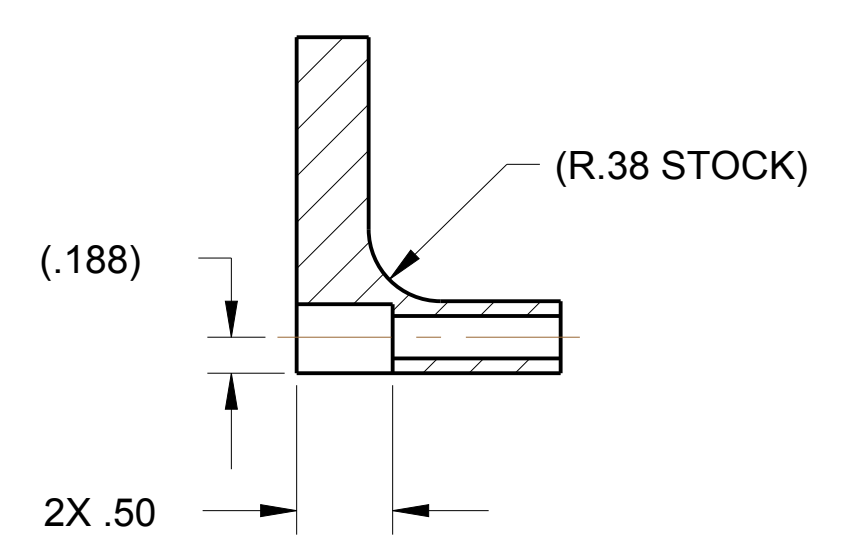
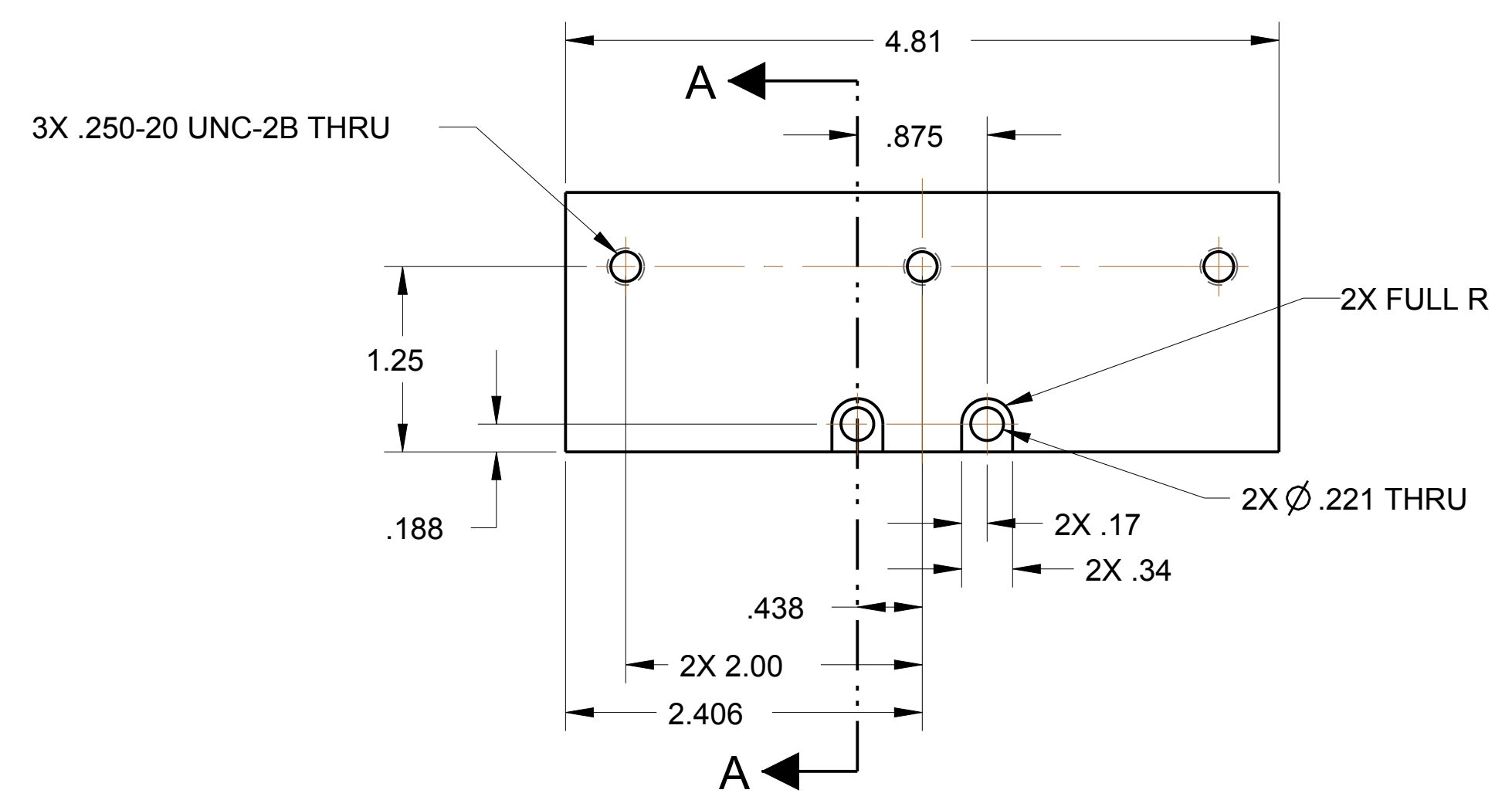
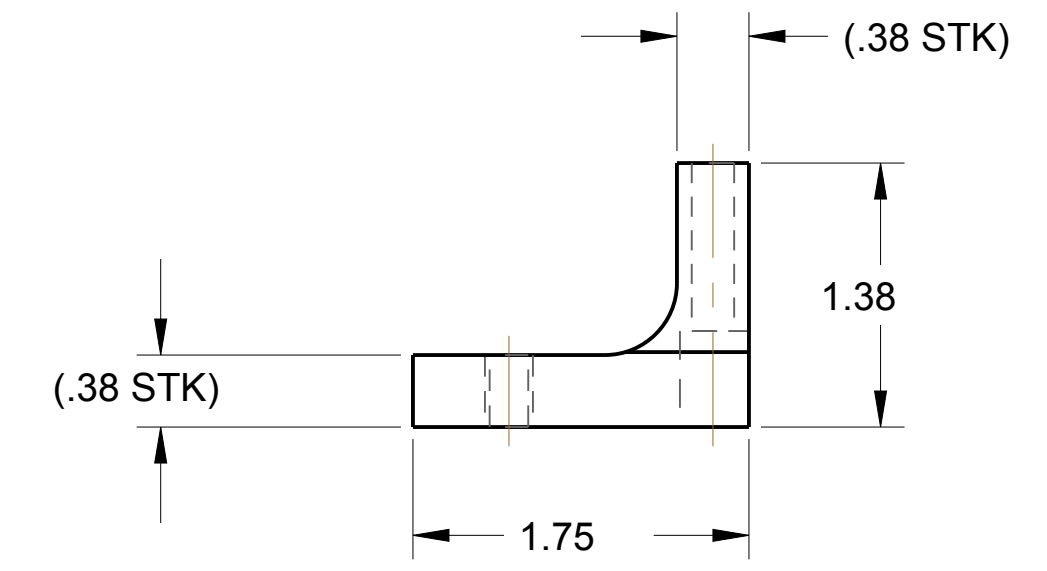
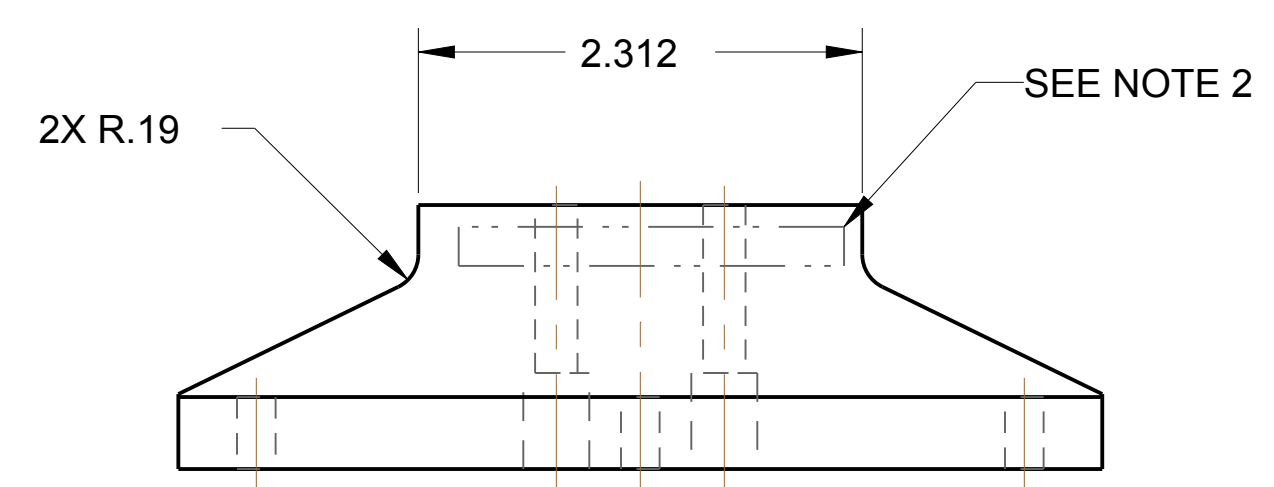


8 7 6 5 4 3 2 1

NOTES:

1. MATERIAL: ANGLE STRUCTURAL ALUMINUM TYPE 6061-T6 PER ASTM B308
2. VIBRO-ETCH PART WITH DRAWING NUMBER WITH MIN .12 HIGH CHARACTERS IN ACCORDANCE WITH MIL-STD-130, LOCATE APPROX AS SHOWN.

REVISION APPROVALS								
REV	ECN NO.	DESCRIPTION	DATE	BY	CHK	DES	ENG	SUPV
A	-	INITIAL RELEASE	-	-	-	-	-	-



ISOMETRIC VIEW  
FOR REFERENCE ONLY

		INTERPRET IN GENERAL ACCORDANCE WITH ASME Y14.5				COLLIDER-ACCELERATOR DEPARTMENT BROOKHAVEN NATIONAL LABORATORY UPTON, N.Y. 11973				
		UNLESS OTHERWISE SPECIFIED				DRAWN BY: S. TRABOCCHI 08/24/17 CHECKED BY: S. RESTMEYER 3/19/18 DESIGN APPROVAL: A. ARNO 3/20/18 ENGR / FRM APPROVAL: G. MAHLER 3/20/18 SUPERVISOR APPROVAL: J. TUOZZOLO 3/20/18			CBETA MAGNET ASSEMBLY SUPPORT FOOT	
		DIMENSIONS ARE IN INCHES		DECIMAL TOLERANCES		SIZE: D DRAWING NUMBER: 2550M0071 REV. A				
		± .030 .XX ± .015 .XXX ± .005		ANGULAR TOLERANCE ±1°		Q.A. CATEGORY: A3 SCALE: 1/1 WEIGHT: 0.4 SHEET OF 1 1				
		USED ON DRAWING NO. QTY. PER ASSY. 125 FINISH: 125 ✓ BREAK SHARP EDGES: MAX. .001 IN. 015		SAFETY / RSC DEPARTMENT CHAIR		CREO				

D  
C  
B  
A

D  
C  
B  
A

8 7 6 5 4 3 2 1

CREO

DWG NO 2550M0071  
SHT 1 OF 1