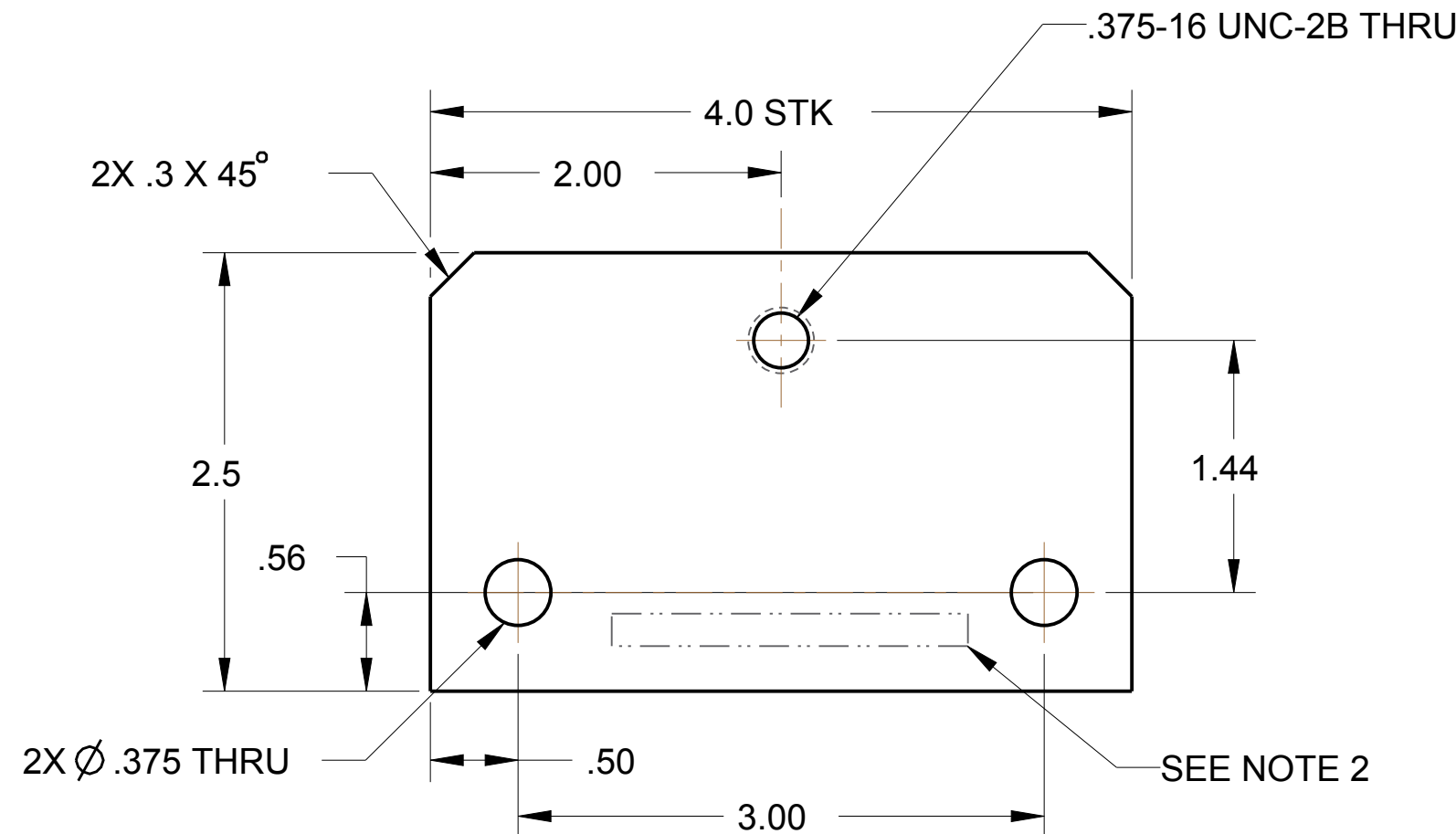


NOTES:

- 1.MATERIAL: BAR RECT. ALUMINUM TYPE 6061-T6 PER ASTM B221.
- 2.VIBRO-ETCH PART WITH DRAWING NUMBER WITH MIN. .12 HIGH CHARACTERS IN ACCORDANCE WITH MIL-STD 130. LOCATE APPROX. AS SHOWN.

REVISION APPROVALS

REV	ECN NO.	DESCRIPTION	DATE	BY	CHK	DES	ENG	SUPV
A	-	INITIAL RELEASE	-	-	-	-	-	-



2570M0033	4		
2570M0030	4	2570M0057	4
2570M0027	4	2570M0054	4
2570M0024	4	2570M0051	4
2570M0021	4	2570M0048	4
2570M0018	4	2570M0045	4
2570M0015	4	2570M0042	4
2570M0012	4	2570M0039	4
2570M0008	4	2570M0036	4
USED ON DRAWING NO.	QTY. PER ASS'Y.	USED ON DRAWING NO.	QTY. PER ASS'Y.
APPLICATION		APPLICATION	

INTERPRET IN GENERAL ACCORDANCE WITH ASME Y14.5

UNLESS OTHERWISE SPECIFIED

DIMENSIONS ARE IN INCHES  
 DECIMAL TOLERANCES  
 .X± .030  
 .XX± .015  
 .XXX± .005  
 ANGULAR TOLERANCE ±1°

125  
 FINISH ✓

BREAK SHARP EDGES  
 MAX. .031IN. 015

DRAWN BY S.TRABOCCHI 03/29/17  
 CHECKED BY S.RESTMAYER 3/19/18  
 DESIGN APPROVAL A. ARNO 3/20/18  
 ENG / PHY APPROVAL G.MAHLER 3/20/18  
 SUPERVISOR APPROVAL J.TUOZZOLO 3/20/18  
 CEE / CME  
 DIVISION HEAD  
 Q.A.  
 SAFETY / RSC  
 DEPARTMENT CHAIR

COLLIDER-ACCELERATOR DEPARTMENT  
 BROOKHAVEN NATIONAL LABORATORY  
 UPTON, N. Y. 11973

CBETA  
 GIRDER ASSEMBLY  
 PUSHER BRACKET

SIZE B DRAWING NUMBER: 2570M0060 REV. A

Q.A. CATEGORY A3 SCALE: 1/1 WEIGHT: 0.7 SHEET 1 OF 1