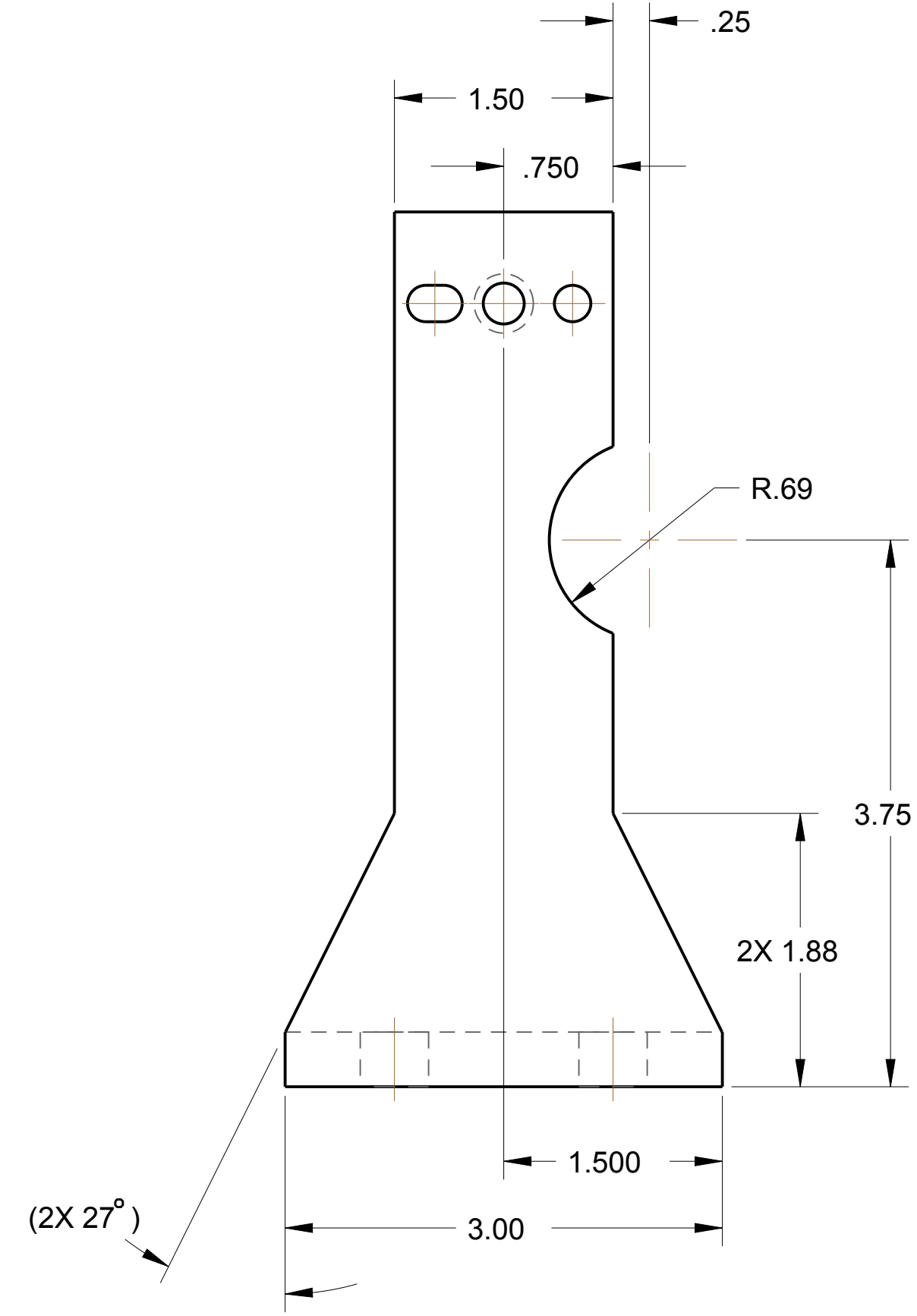
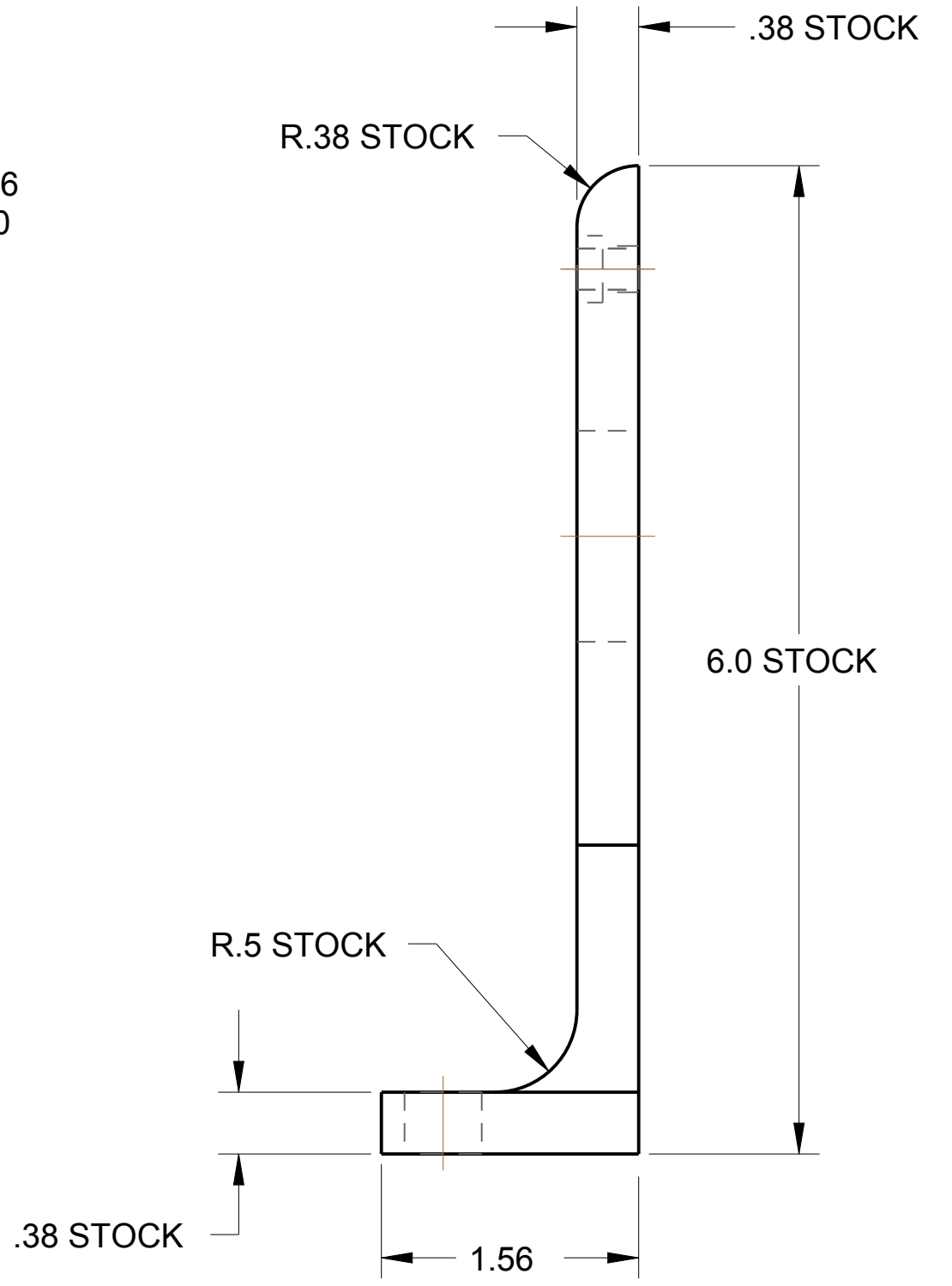
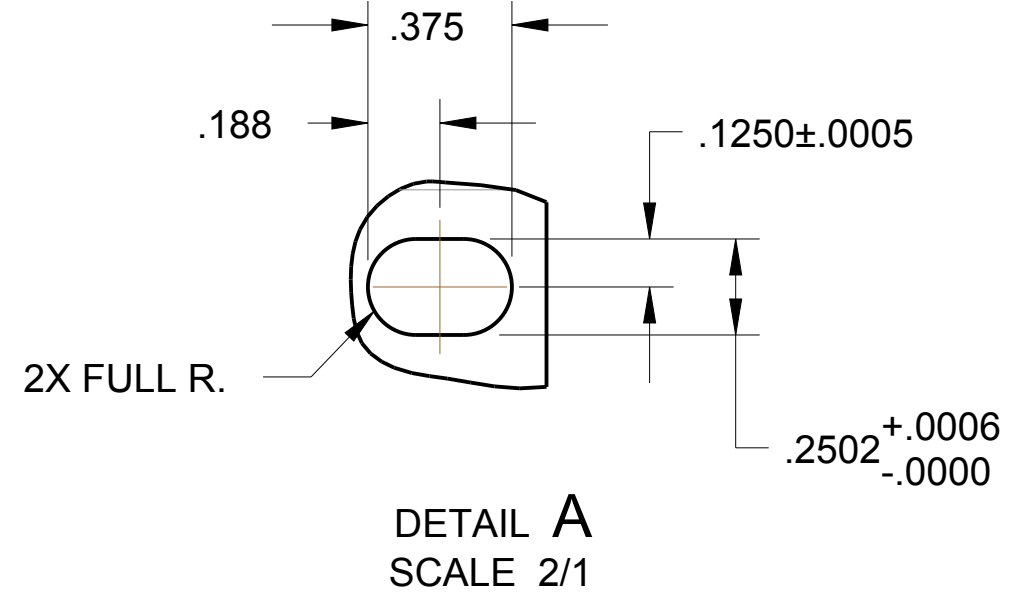
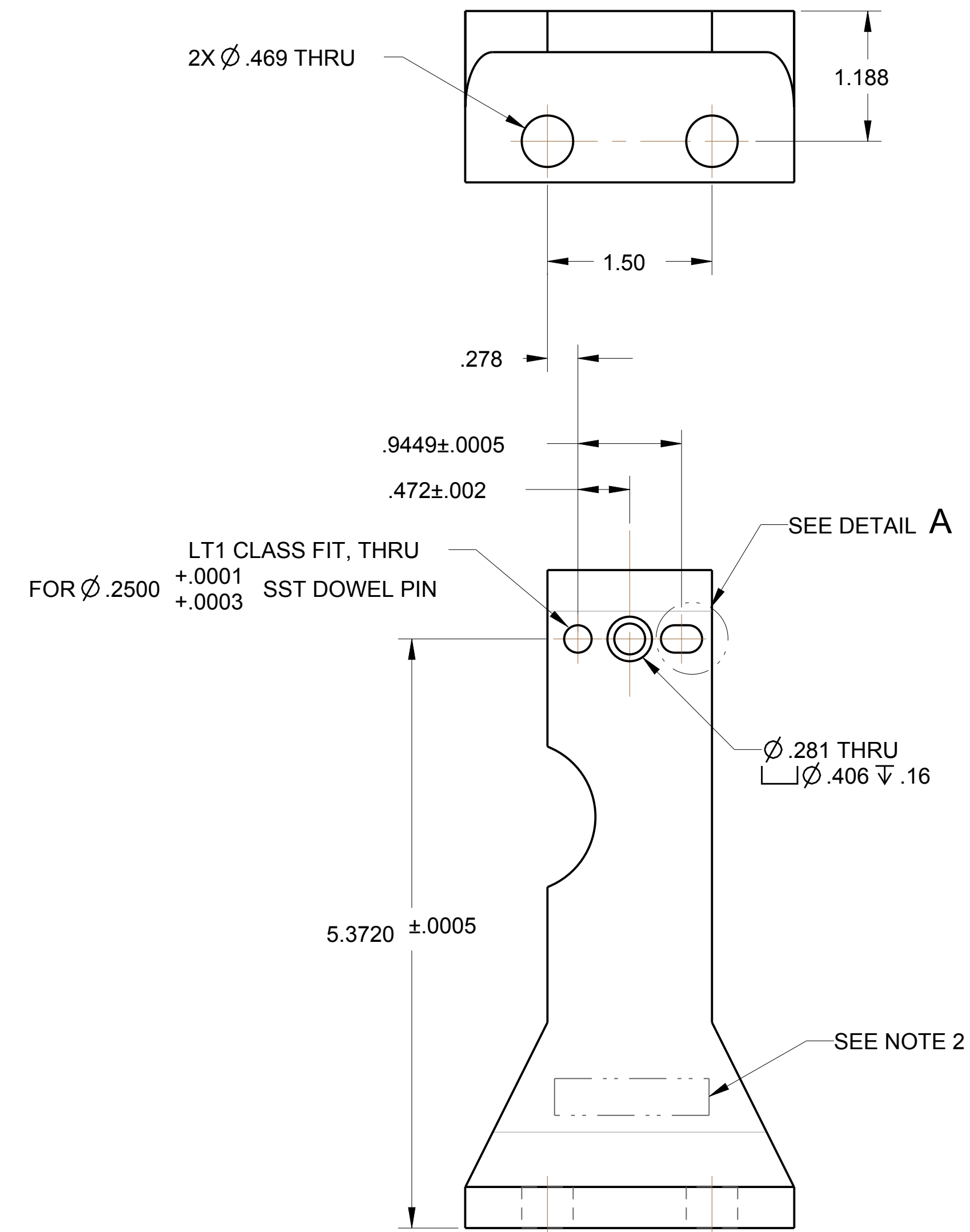


NOTES:

1. MATERIAL: ANGLE ALUMINUM STRUCTURAL TYPE 6061-T6 PER ASTM B308
2. VIBRO-ETCH PART WITH DRAWING NUMBER WITH MIN .12 HIGH CHARACTERS IN ACCORDANCE WITH MIL-STD-130, LOCATE APPROX AS SHOWN.

REVISION APPROVALS								
REV	ECN NO.	DESCRIPTION	DATE	BY	CHK	DES	ENG	SUPV
A	-	INITIAL RELEASE	-	-	-	-	-	-



		INTERPRET IN GENERAL ACCORDANCE WITH ASME Y14.5				COLLIDER-ACCELERATOR DEPARTMENT BROOKHAVEN NATIONAL LABORATORY UPTON, N.Y. 11973							
		UNLESS OTHERWISE SPECIFIED				DRAWN BY: S. TRABOCCHI 09/27/17 CHECKED BY: S. RESTMEYER 3/19/18 DESIGN APPROVAL: A. ARNO 3/20/18 ENG. FRITZ APPROVAL: G. MAHLER 3/20/18 SUPERVISOR APPROVAL: J. TUOZZOLO 3/20/18		CBETA TOP PLATE ASSEMBLY BRACKET, BPM SUPPORT, TYPE 5					
2570M0041		3		DIMENSIONS ARE IN INCHES		CEE / CME DIVISION HEAD QA SAFETY / RSC DEPARTMENT CHAIR		SIZE: D		DRAWING NUMBER: 2570M0081		REV. A	
2570M0020		3		DECIMAL TOLERANCES				Q.A. CATEGORY: A3		SCALE: 1/1		WEIGHT: 1.9	
2570M0017		3		XX ± .030				SHEET OF 1 1					
2570M0014		3		XXX ± .015									
USED ON DRAWING NO.		QTY. PER ASSY.		ANGULAR TOLERANCE ±1°		125		FINISH		BREAK SHARP EDGES		MAX. .001 IN. 015	
APPLICATION												CREO	

DWG NO 2570M0081

SHT 1 OF 1